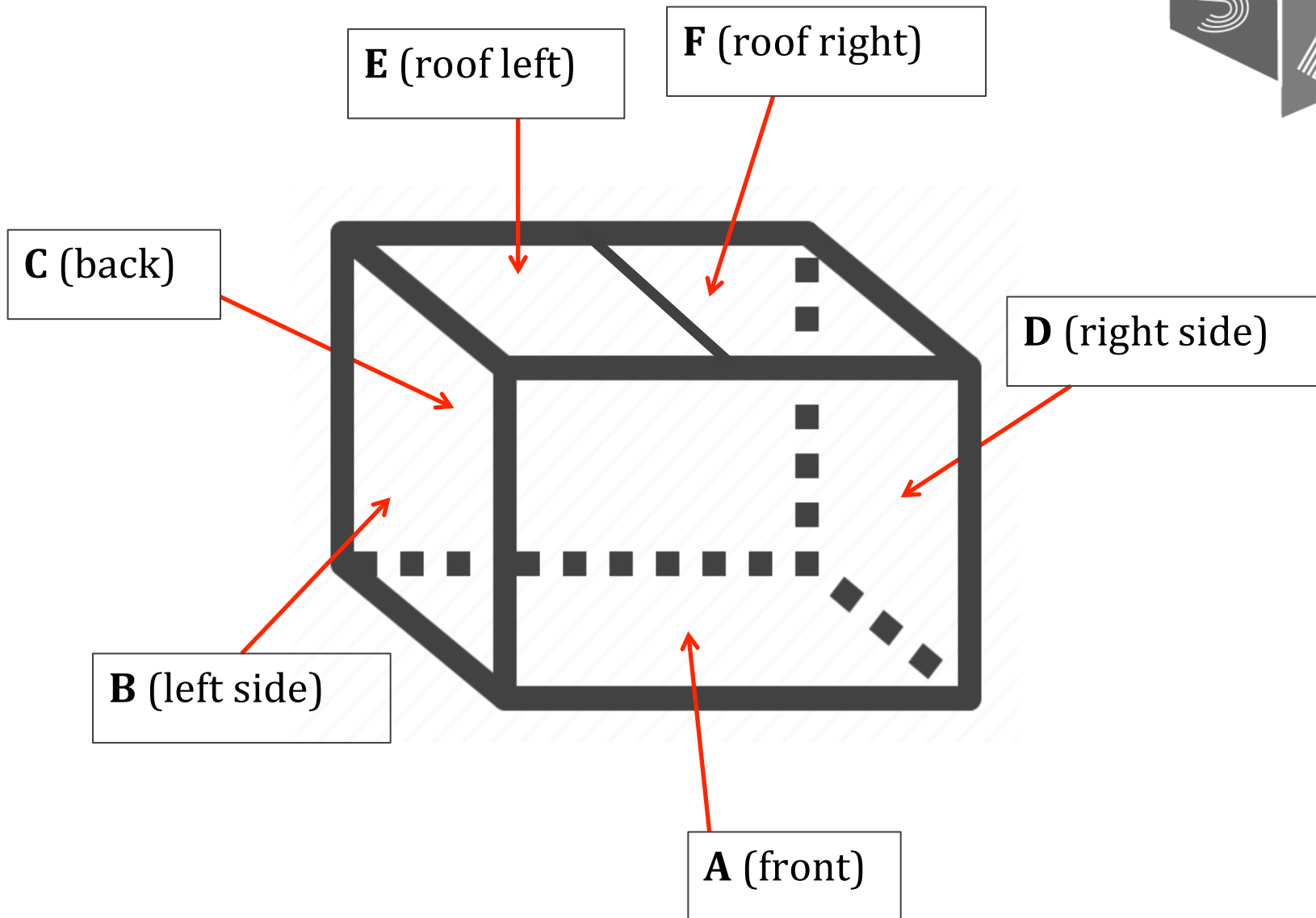
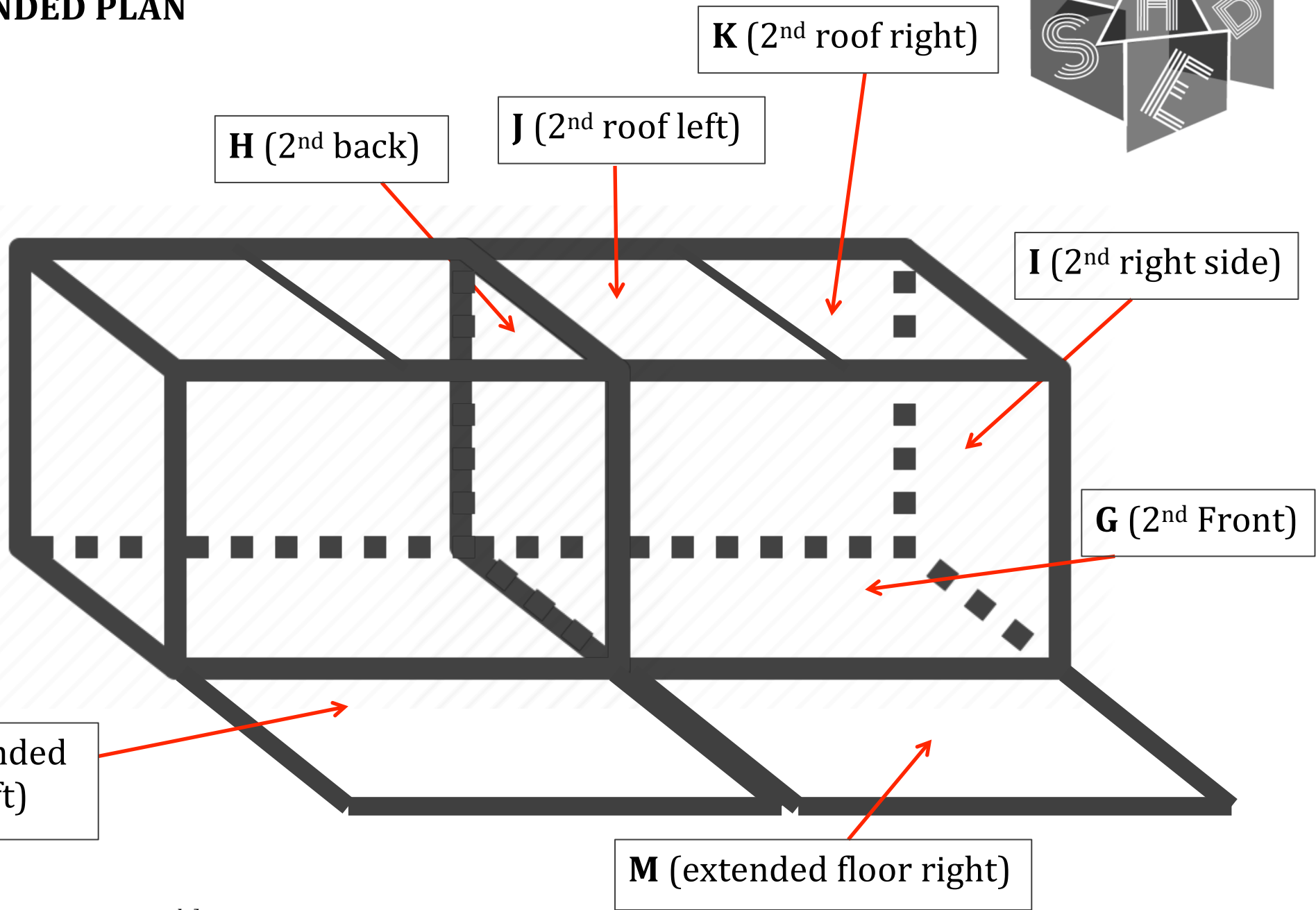


BASIC PLAN



[note: diagrams are not to scale]

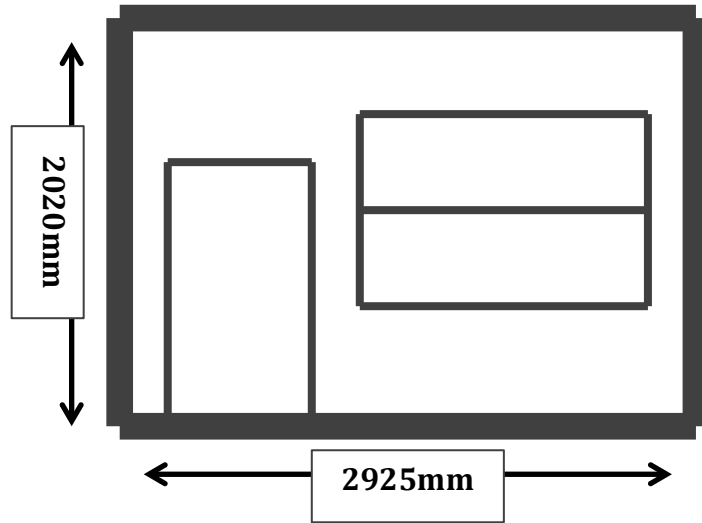
EXTENDED PLAN



[note: diagrams are not to scale]

PANELS

Numbers have been written on the bottom left hand side of each panel



Panel number: 1

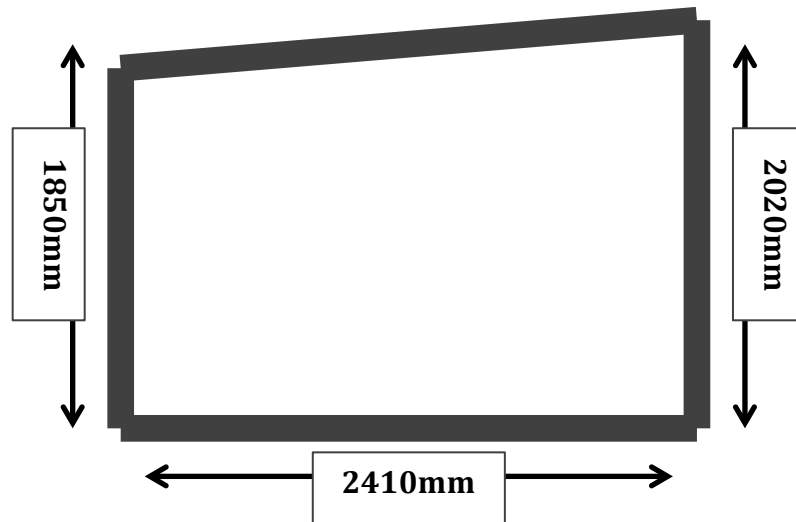
Configurations: A, G

Other Measurements:

Door - 1770x760mm

Hatch - 1835x915mm

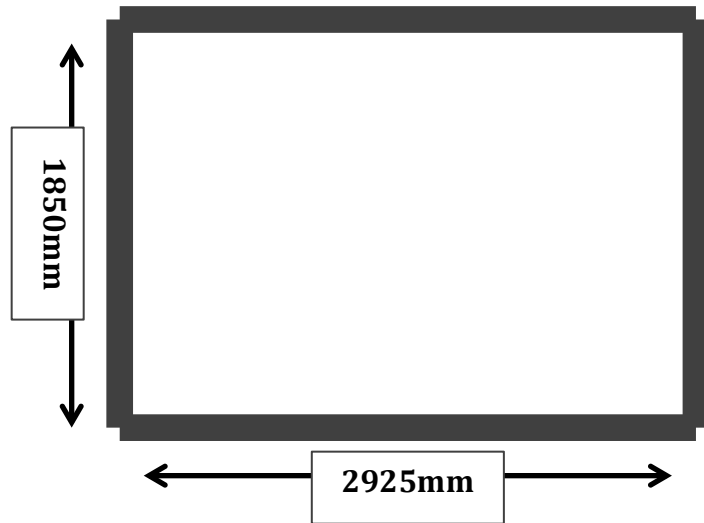
Between hatch and floor - 950mm



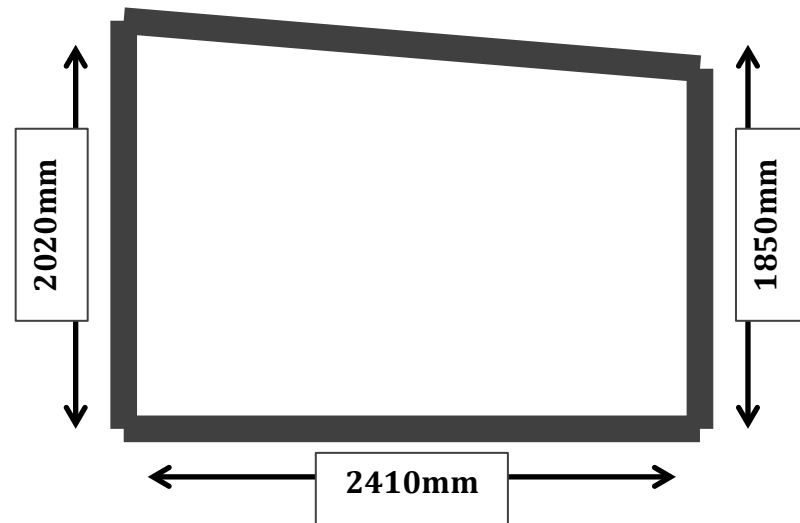
Panel number: 2

Configurations: B

[note: diagrams are not to scale]

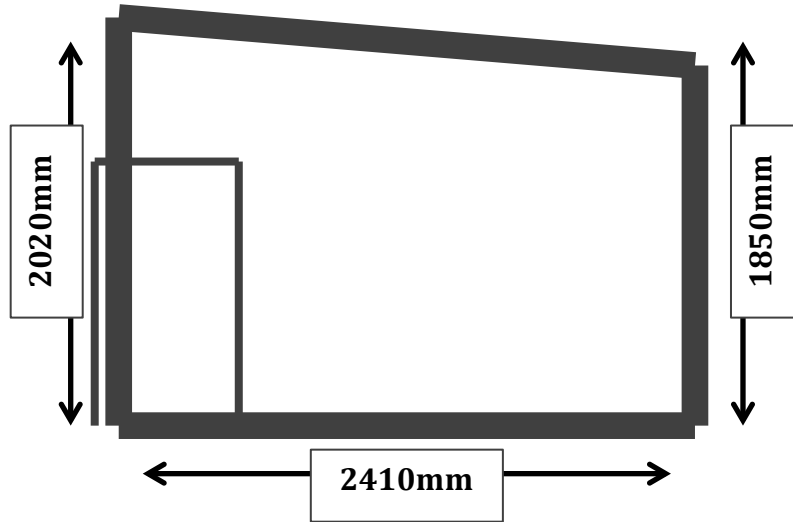


Panel number: 3
Configurations: C, H

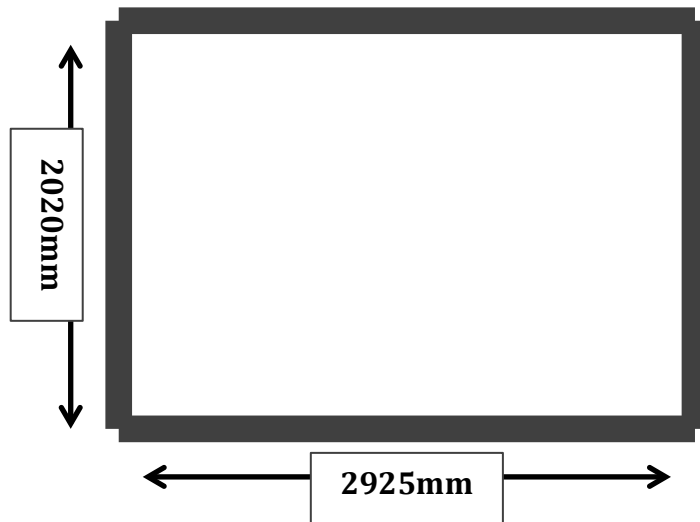


Panel number: 4
Configurations: D, I

[note: diagrams are not to scale]



Panel number: 5
Configurations: D, I
Other measurements:
Door - 1770x760mm

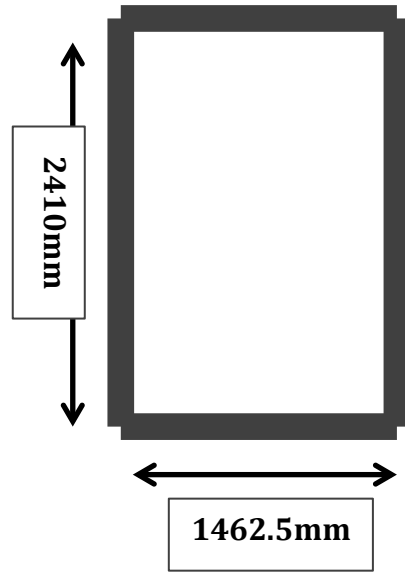


Panel number: 6
Configurations: A, G

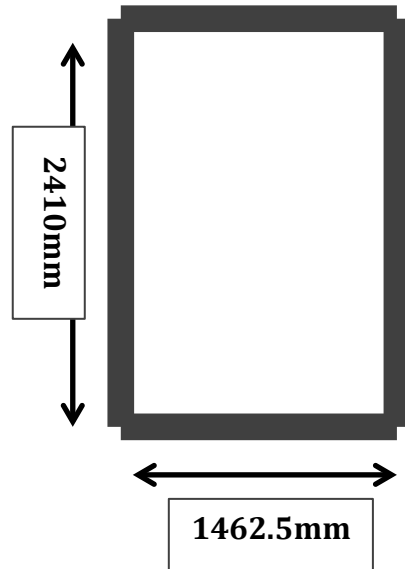
[note: diagrams are not to scale]



Panel number: 7
Configurations: E, J



Panel number: 8
Configurations: E, J



[note: diagrams are not to scale]

*Note re positioning of roof panel:
The long side of the panel, which has two batons on must face out. The side with just one baton should face inward.*